



# V-Series



Stainless Steel Submersible Pumps  
V4S/V6S/V8S/V10S

50Hz



Evak Pump Technology Corp.  
No. 551, Zhongshan Rd., Qingshui Township,  
Taichung County 436, Taiwan.  
Tel : +886-426-233556  
Fax: +886-426-235559  
www.evak-pumps.com

# EVAK V-Series 6" Stainless Steel Submersible Pumps



Evak's VS 6" SST submersible pumps are made of high quality 304 or 316 corrosion resistant Stainless Steel. The Shaft are made of high strength 431 SST. The pumps are designed for high efficiency, reliable performance, and a long life time. The pumps are light in weight and ruggedly constructed for heavy duty applications.

**Pumped Liquids:**  
Clean, non-corrosive and non-abrasive liquids

**Operating Conditions:**  
Max. Liquid temperature : 60°C  
Sand content: Max. 50 g/m<sup>3</sup>

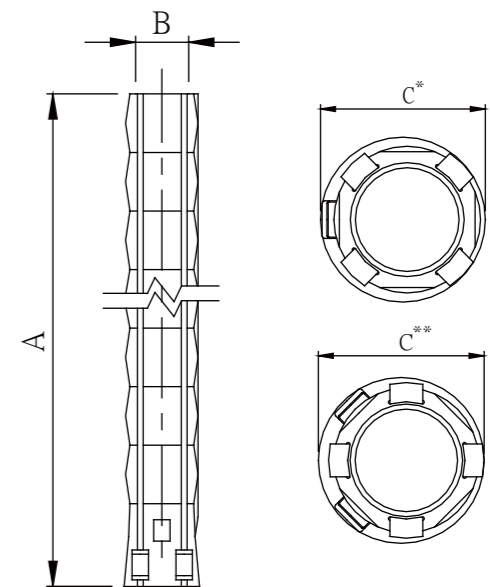
### Features

- > All stainless steel design & Built-in Jam-free check valve
- > NEMA Standards Mounting Specification
- > High quality shaft bearing for low friction
- > High wear resistance SST Impeller
- > Diffuser ensuring optimal performance
- > SST Strainer prevents the Entry of Sand

### Applications

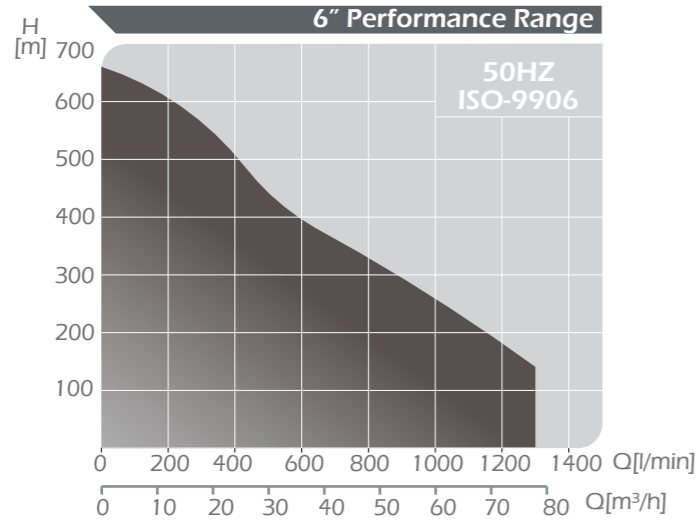
- > Potable water supply from deep wells
- > Agricultural-Irrigation, livestock watering,
- > Municipal and Industrial, Pressure boosting
- > Mine de-watering, Fountains, etc.

### V6S Dimensions

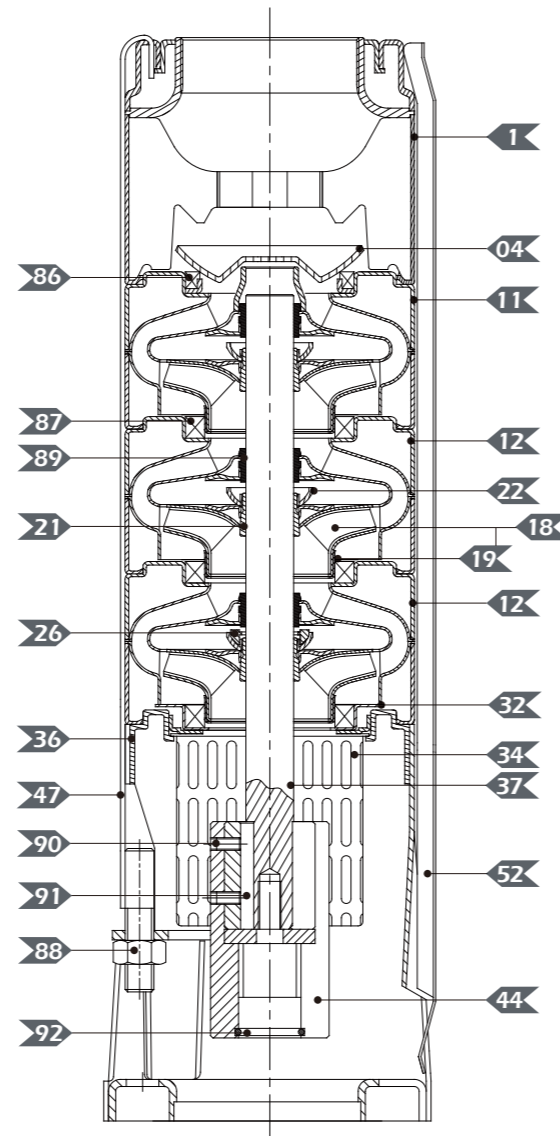


Unit(mm)

V6S V6S



Example V6S-17M



Parts and Material List			
No	Part	Material	Standard
01	Discharge	Stainless Steel	304
04	Valve Cone	Stainless Steel	304
11	Top Diffuser	Stainless Steel	304
12	Diffuser	Stainless Steel	304
18	Impeller	Stainless Steel	304
19	Ring of Impeller	Stainless Steel	304
21	Split Cone	Stainless Steel	304
22	Split Cone Nut	Stainless Steel	304
26	Spacing Washer for Stop Ring	Carbon/Graphite/PTFE	
32	Neck Ring Retainer	Stainless Steel	304
34	Strainer	Stainless Steel	304
36	Suction Interconnector	Stainless Steel	304
37	Pump Shaft	Stainless Steel	431
44	Coupling	Stainless Steel	304
47	Strap	Stainless Steel	304
52	Cable Guard	Stainless Steel	304
86	Valve Seat	SUS304+NBR	
87	Neck Ring	SUS304+NBR	
88	Nut	Stainless Steel	304
89	Bearing	NBR	
90	Screw	Stainless Steel	304
91	Key	Stainless Steel	304
92	O - Ring	NBR	

All technical information is subject to change without notice.

### V6S-17M Dimensions and Weight

Type	A	B	C*	C**	Net Weight(kg)	
V6S-17M01	343	RP 2 1/2"	131		5	
V6S-17M02	403		131		6.4	
V6S-17M04	524		131		9.3	
V6S-17M05	585		131		10.8	
V6S-17M06	645		131		12.2	
V6S-17M07	706		131		13.7	
V6S-17M08						
V6S-17M10	887		131			18
V6S-17M13	1069	142	142		22.4	
V6S-17M17	1311	142	142		28.2	
V6S-17M20	1492	142	142		32.5	
V6S-17M22	1613	142	142		35.4	
V6S-17M24	1734	142	142		38.3	
V6S-17M27	1916	142	142		42.7	
V6S-17M29	2037	142	142		45.6	
V6S-17M31	2158	142	142		48.5	
V6S-17M33	2279	142	142		51.4	
V6S-17M36	2460	142	142		55.7	
V6S-17M38	2581	142	142		58.6	
V6S-17M40	2702	142	142		61.5	

### V6S-30M Dimensions and Weight

Type	A	B	C*	C**	Net Weight(kg)	
V6S-30M02	462	RP 3"	131		8.4	
V6S-30M03	558		131		10.1	
V6S-30M04	654		131		11.8	
V6S-30M06	846		131		15.2	
V6S-30M08	1038		142	142		18.6
V6S-30M11	1326		142	142		23.6
V6S-30M13	1518		142	142		27
V6S-30M15	1710		142	142		30.4
V6S-30M17	1902	142	142		33.8	
V6S-30M19	2094	142	142		37.2	
V6S-30M21	2286	142	142		40.6	
V6S-30M24	2574	142	142		45.6	
V6S-30M26	2766	142	142		49	
V6S-30M29	3054	142	142		54.1	
V6S-30M32	3342	142	142		59.2	
V6S-30M35	3630	142	142		64.3	

### V6S-46M Dimensions and Weight

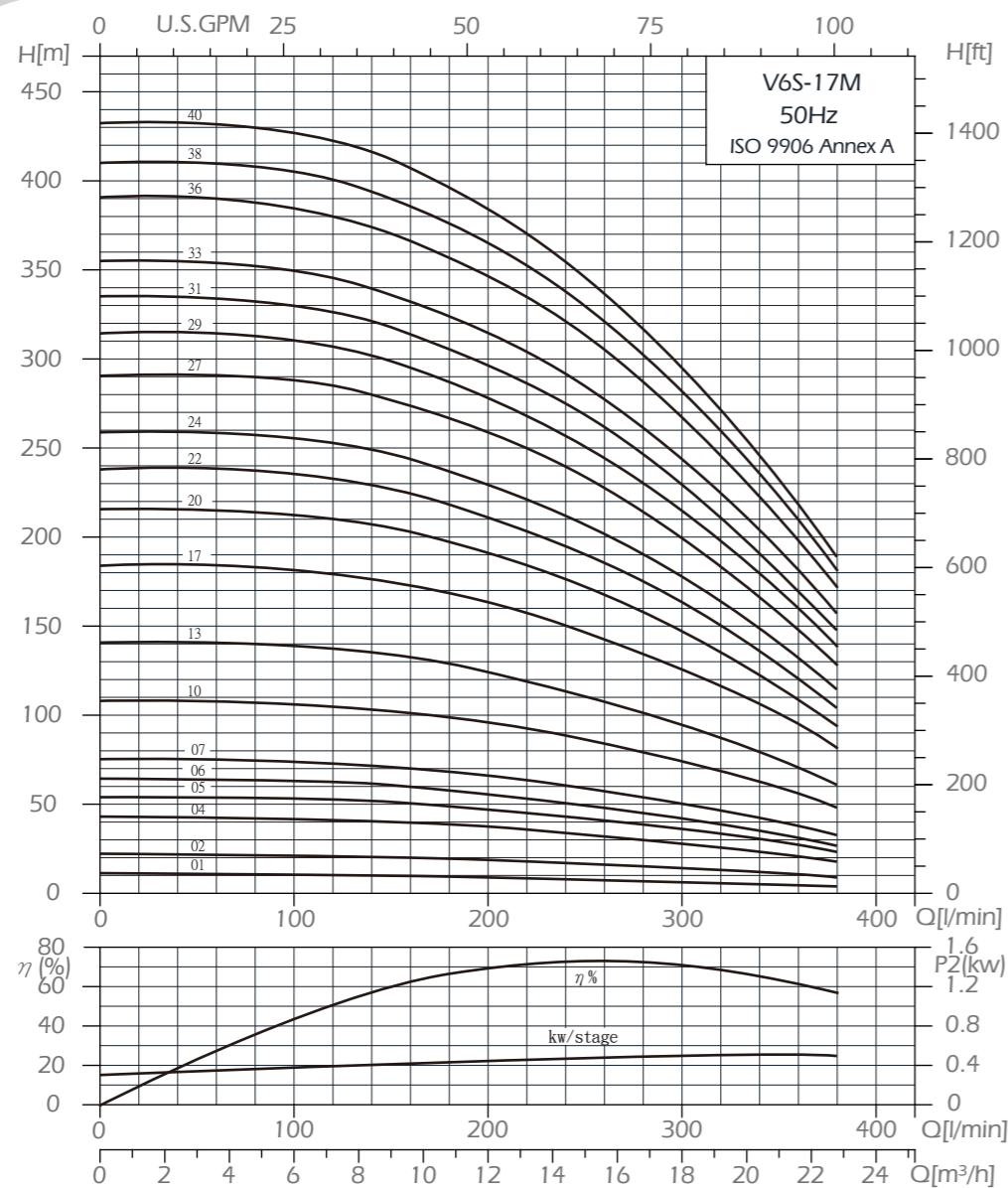
Type	A	B	C*	C**	Net Weight(kg)	
V6S-46M02	496	RP 3"	146		9.2	
V6S-46M03-C	609		146		11.5	
V6S-46M03	609		146		11.5	
V6S-46M04-C	722		146		13.8	
V6S-46M05	835		149	152		16
V6S-46M07	1061		149	152		20.6
V6S-46M08-C	1174		149	152		22.9
V6S-46M10	1400		149	152		27.4
V6S-46M12	1626	149	152		32	
V6S-46M15	1965	149	152		38.8	
V6S-46M17	2191	149	152		43.4	
V6S-46M19	2417	149	152		47.9	
V6S-46M22	2756	149	152		54.8	
V6S-46M24	2982	149	152		59.3	

### V6S-60M Dimensions and Weight

Type	A	B	C*	C**	Net Weight(kg)	
V6S-60M01	383	RP 3" or 4"	146		6.9	
V6S-60M02	496		146		9.2	
V6S-60M03	609		149		11.5	
V6S-60M04	722		149	152		13.7
V6S-60M05	835		149	152		16
V6S-60M06	948		149	152		18.3
V6S-60M07	1061		149	152		20.6
V6S-60M08	1174		149	152		22.9
V6S-60M09	1287	149	152		25.1	
V6S-60M10	1400	149	152		27.4	
V6S-60M11	1513	149	152		29.7	
V6S-60M12	1626	149	152		32	
V6S-60M13	1739	149	152		34.3	
V6S-60M14	1852	149	152		36.5	
V6S-60M15	1965	149	152		38.8	
V6S-60M16	2078	149	152		41.1	
V6S-60M17	2191	149	152		43.4	
V6S-60M18	2304	149	152		45.7	
V6S-60M20	2530	149	152		50.2	

C\* = Maximum diameter of pump with one motor cable  
C\*\* = Maximum diameter of pump with two motor cable

## V6S-17M Performance Curves & Selection Chart

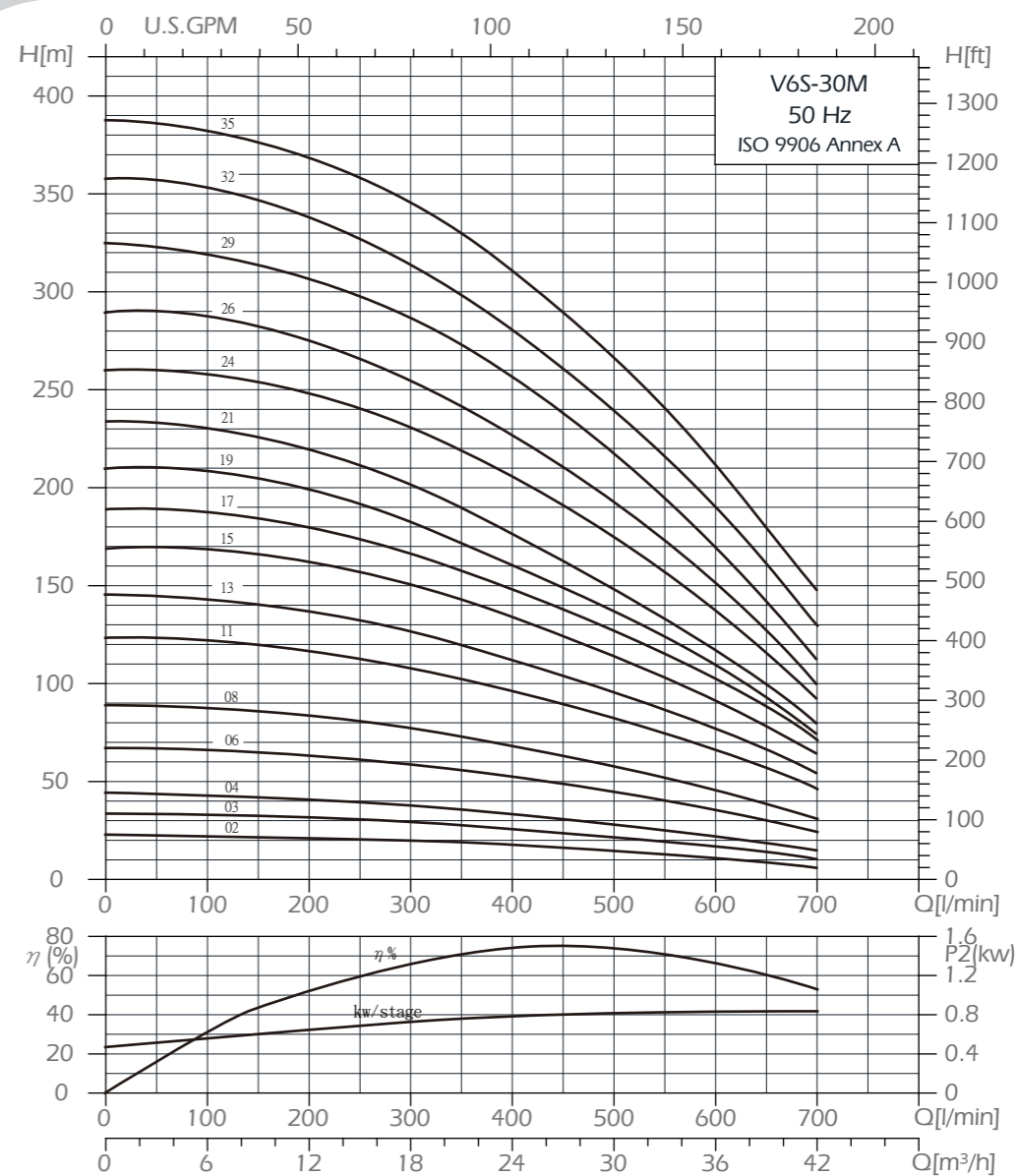


V6S-17M Selection Chart

Type	Stages	Motor		MAX.current Amp	L/MIN M³/H	Flow Rate (Q)								Weight kg
		HP	P2 kW			220V	380V	50	100	150	200	250	300	
V6S-17M01	1	0.75	0.55	2.6	1.5	11.5	11	10.5	9.5	8	7	6	4	5
V6S-17M02	2	1.5	1.1	5.2	3.0	22	21.5	20	19	17.5	14	12	9	6.4
V6S-17M04	4	3	2.2	9.5	5.5	42.5	42	40	38	33	28.5	23	18	9.3
V6S-17M05	5	4	3	13.3	7.7	53	52	50.5	47.5	42.5	37	28.5	22	10.8
V6S-17M06	6	5	3.7	15.4	8.9	64	63	60	56	50	43	34	27	12.2
V6S-17M07	7	5.5	4	17	10.4	75	74	70	66	59	50.5	40	32	13.7
V6S-17M10	10	7.5	5.5	22.2	12.8	108	107	102	95	86	74	58	48	18
V6S-17M13	13	10	7.5	28.5	16.5	141	139	133	124	112	95	75	60	22.4
V6S-17M17	17	12.5	9.3	36	20.9	184	182	175	163	147	126	100	80	28.2
V6S-17M20	20	15	11	41.8	24.2	216	213	206	192	173	147	116	95	32.5
V6S-17M22	22	17.5	13	50	29	239	237	228	212	190	163	129	105	35.4
V6S-17M24	24	17.5	13	50	29	260	257	247	230	208	178	140	115	38.3
V6S-17M27	27	20	15	55	32	291	288	277	259	234	200	158	128	42.7
V6S-17M29	29	25	18.5	69	40	314	311	300	279	250	215	170	138	45.6
V6S-17M31	31	25	18.5	69	40	335	330	318	298	269	230	181	148	48.5
V6S-17M33	33	25	18.5	69	40	355	350	337	315	285	243	191	157	51.4
V6S-17M36	36	30	22	81	47	390	385	371	348	313	268	210	170	55.7
V6S-17M38	38	30	22	81	47	410	405	390	365	330	281	222	180	58.6
V6S-17M40	40	30	22	81	47	433	428	412	384	346	296	235	190	61.5

V6S-17M08 ; V6S-17M12 ; V6S-17M43 are available on request.

## V6S-30M Performance Curves & Selection Chart

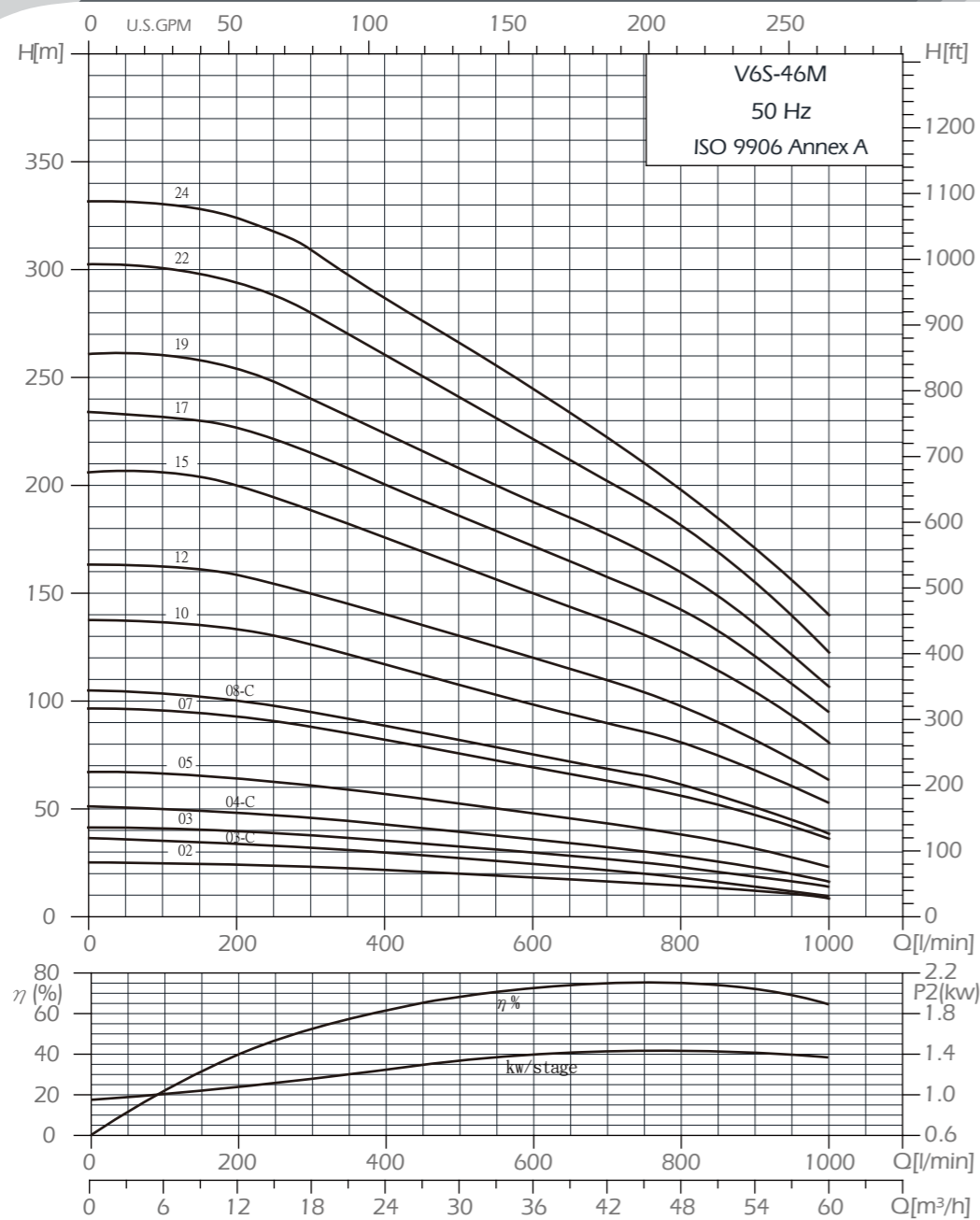


V6S-30M Selection Chart

Type	Stages	Motor		MAX.current Amp	L/MIN M³/H	Flow Rate (Q)										Weight kg			
		HP	P2 kW			220V	380V	100	150	200	250	300	350	400	450		500	550	600
V6S-30M02	2	3	2.2	9.5	5.5	23	22	21	20	19	18	17	16	15	13	11	9	6	8.4
V6S-30M03	3	4	3	13.3	7.7	33	32	31	30	29	28	26	24	22	20	17	14	11	10.1
V6S-30M04	4	5	3.7	15.4	8.9	43	42	41	40	38	36	34	31	28	26	23	19	15	11.8
V6S-30M06	6	7.5	5.5	22.2	12.8	67	64	62	60	58	56	52	49	45	40	36	30	25	15.2
V6S-30M08	8	10	7.5	28.5	16.5	88	87	84	81	78	73	68	64	58	53	46	38	31	18.6
V6S-30M11	11	15	11	41.8	24.2	122	120	117	112	108	102	97	90	83	76	67	57	47	23.6
V6S-30M13	13	15	11	41.8	24.2	143	140	137	132	127	120	113	105	97	87	77	66	55	27
V6S-30M15	15	20	15	55	32	168	166	162	157	150	142	134	124	113	102	90	77	65	30.4
V6S-30M17	17	20	15	55	32	188	185	180	173	167	158	148	138	127	116	103	88	71	33.8
V6S-30M19	19	25	18.5	69	40	208	205	199	192	182	172	161	150	137	125	110	94	77	37.2
V6S-30M21	21	25	18.5	69	40	230	226	220	212	202	190	177	164	149	134	117	100	80	40.6
V6S-30M24	24	30	22	81	47	258	254	248	240	230	219	207	191	175	156	137	117	93	45.6
V6S-30M26	26	30	22	81	47	287	282	275	266	255	242	227	212	194	173	152	127	100	49
V6S-30M29	29	35	26	96	56	319	314	307	298	287	273	257	240	220	196	170	143	113	54.1
V6S-30M32	32	40	30	111	64	353	347	338	327	313	298	281	261	240	217	190	160	130	59.2
V6S-30M35	35	40	30	111	64	382	377	368	358	346	329	311	290	267	240	211	180	148	64.3

All technical information is subject to change without notice.

### V6S-46M Performance Curves & Selection Chart

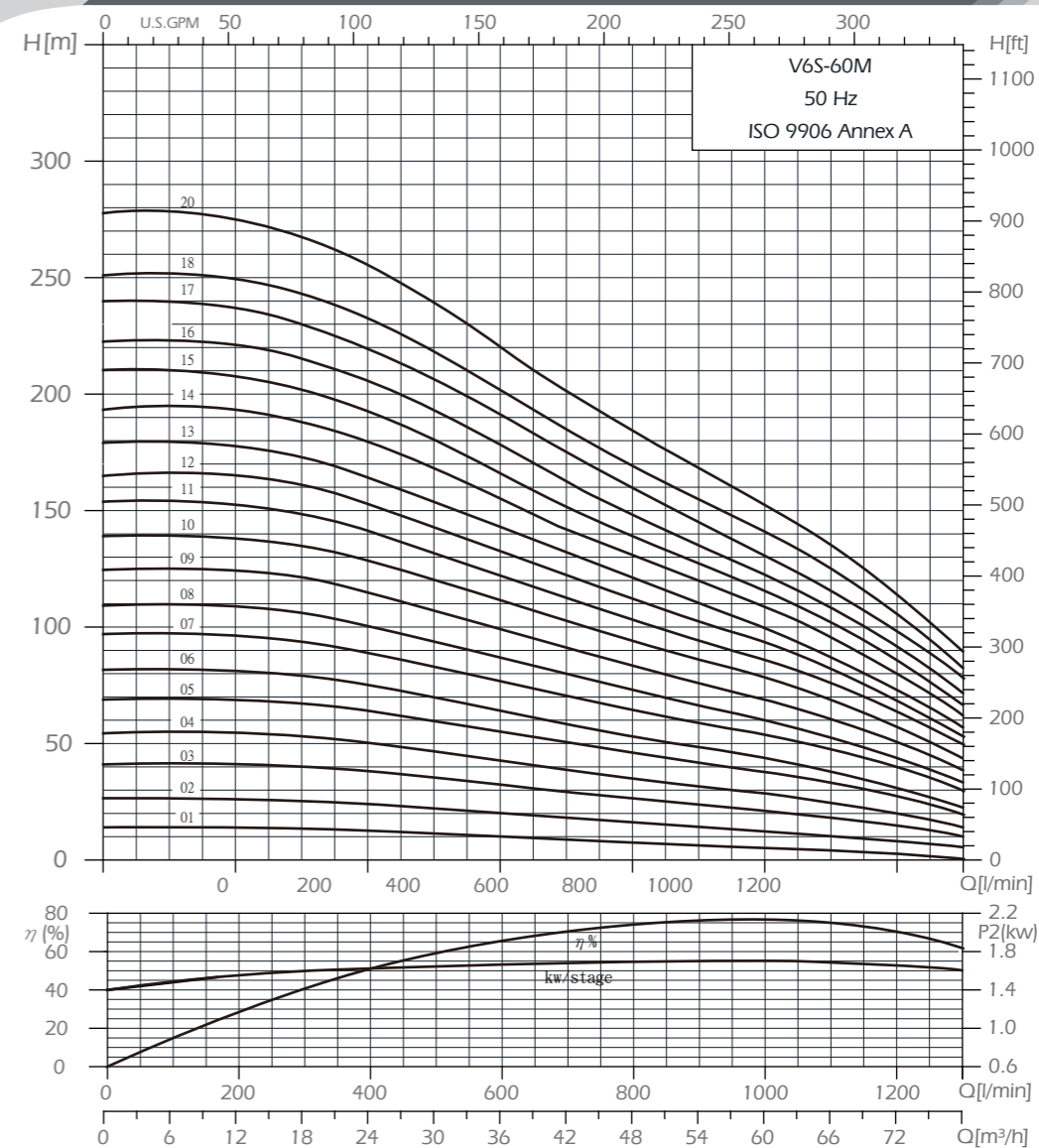


V6S-46M Selection Chart

Type	Stages	Motor HP   P2 kW	MAX.current Amp 220V   380V	L/MIN M <sup>3</sup> /H	200	250	300	350	400	450	500	600	700	800	900	1000	Weight kg
V6S-46M02	2	4   3	13.3   7.7	12	15	18	21	24	27	30	36	42	48	54	60	9.2	
V6S-46M03-C	3	5   3.7	15.4   8.9	12	15	18	21	24	27	30	36	42	48	54	60	9.2	
V6S-46M03	3	7.5   5.5	22.2   12.8	12	15	18	21	24	27	30	36	42	48	54	60	9.2	
V6S-46M04-C	4	7.5   5.5	22.2   12.8	12	15	18	21	24	27	30	36	42	48	54	60	9.2	
V6S-46M05	5	10   7.5	28.5   16.5	12	15	18	21	24	27	30	36	42	48	54	60	9.2	
V6S-46M07	7	15   11	41.8   24.2	12	15	18	21	24	27	30	36	42	48	54	60	9.2	
V6S-46M08-C	8	15   11	41.8   24.2	12	15	18	21	24	27	30	36	42	48	54	60	9.2	
V6S-46M10	10	20   15	55   32	12	15	18	21	24	27	30	36	42	48	54	60	9.2	
V6S-46M12	12	25   18.5	69   40	12	15	18	21	24	27	30	36	42	48	54	60	9.2	
V6S-46M15	15	30   22	81   47	12	15	18	21	24	27	30	36	42	48	54	60	9.2	
V6S-46M17	17	35   26	96   56	12	15	18	21	24	27	30	36	42	48	54	60	9.2	
V6S-46M19	19	40   30	111   64	12	15	18	21	24	27	30	36	42	48	54	60	9.2	
V6S-46M22	22	50   37	138   80	12	15	18	21	24	27	30	36	42	48	54	60	9.2	
V6S-46M24	24	50   37	138   80	12	15	18	21	24	27	30	36	42	48	54	60	9.2	

All technical information is subject to change without notice.

### V6S-60M Performance Curves & Selection Chart



V6S-60M Selection Chart

Type	Stages	Motor HP   P2 kW	MAX.current Amp 220V   380V	L/MIN M <sup>3</sup> /H	300	350	400	450	500	600	700	800	900	1000	1100	1200	1300	Weight kg
V6S-60M01	1	3   2.2	9.5   5.5	18	21	24	27	30	36	42	48	54	60	66	72	78	84	6.9
V6S-60M02	2	5.5   4	15.4   8.9	18	21	24	27	30	36	42	48	54	60	66	72	78	84	6.9
V6S-60M03	3	7.5   5.5	22.2   12.8	18	21	24	27	30	36	42	48	54	60	66	72	78	84	6.9
V6S-60M04	4	10   7.5	28.5   16.5	18	21	24	27	30	36	42	48	54	60	66	72	78	84	6.9
V6S-60M05	5	12.5   9.3	36   20.9	18	21	24	27	30	36	42	48	54	60	66	72	78	84	6.9
V6S-60M06	6	15   11	41.8   24.2	18	21	24	27	30	36	42	48	54	60	66	72	78	84	6.9
V6S-60M07	7	17.5   13	50   29	18	21	24	27	30	36	42	48	54	60	66	72	78	84	6.9
V6S-60M08	8	20   15	55   32	18	21	24	27	30	36	42	48	54	60	66	72	78	84	6.9
V6S-60M09	9	25   18.5	69   40	18	21	24	27	30	36	42	48	54	60	66	72	78	84	6.9
V6S-60M10	10	25   18.5	69   40	18	21	24	27	30	36	42	48	54	60	66	72	78	84	6.9
V6S-60M11	11	30   22	81   47	18	21	24	27	30	36	42	48	54	60	66	72	78	84	6.9
V6S-60M12	12	30   22	81   47	18	21	24	27	30	36	42	48	54	60	66	72	78	84	6.9
V6S-60M13	13	35   26	96   56	18	21	24	27	30	36	42	48	54	60	66	72	78	84	6.9
V6S-60M14	14	35   26	96   56	18	21	24	27	30	36	42	48	54	60	66	72	78	84	6.9
V6S-60M15	15	35   26	96   56	18	21	24	27	30	36	42	48	54	60	66	72	78	84	6.9
V6S-60M16	16	40   30	111   64	18	21	24	27	30	36	42	48	54	60	66	72	78	84	6.9
V6S-60M17	17	50   37	138   80	18	21	24	27	30	36	42	48	54	60	66	72	78	84	6.9
V6S-60M18	18	50   37	138   80	18	21	24	27	30	36	42	48	54	60	66	72	78	84	6.9
V6S-60M20	20	50   37	138   80	18	21	24	27	30	36	42	48	54	60	66	72	78	84	6.9